

ELEMENT I

SINGLE BARN DOOR

60" W x 76" H

CONFIGURATION DIMENSIONS:

A: 60"

MODEL WIDTH

B: 76"

MODEL HEIGHT

C: 28 1/2"

SIZE FOR FIXED PANEL

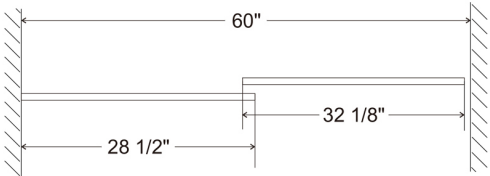
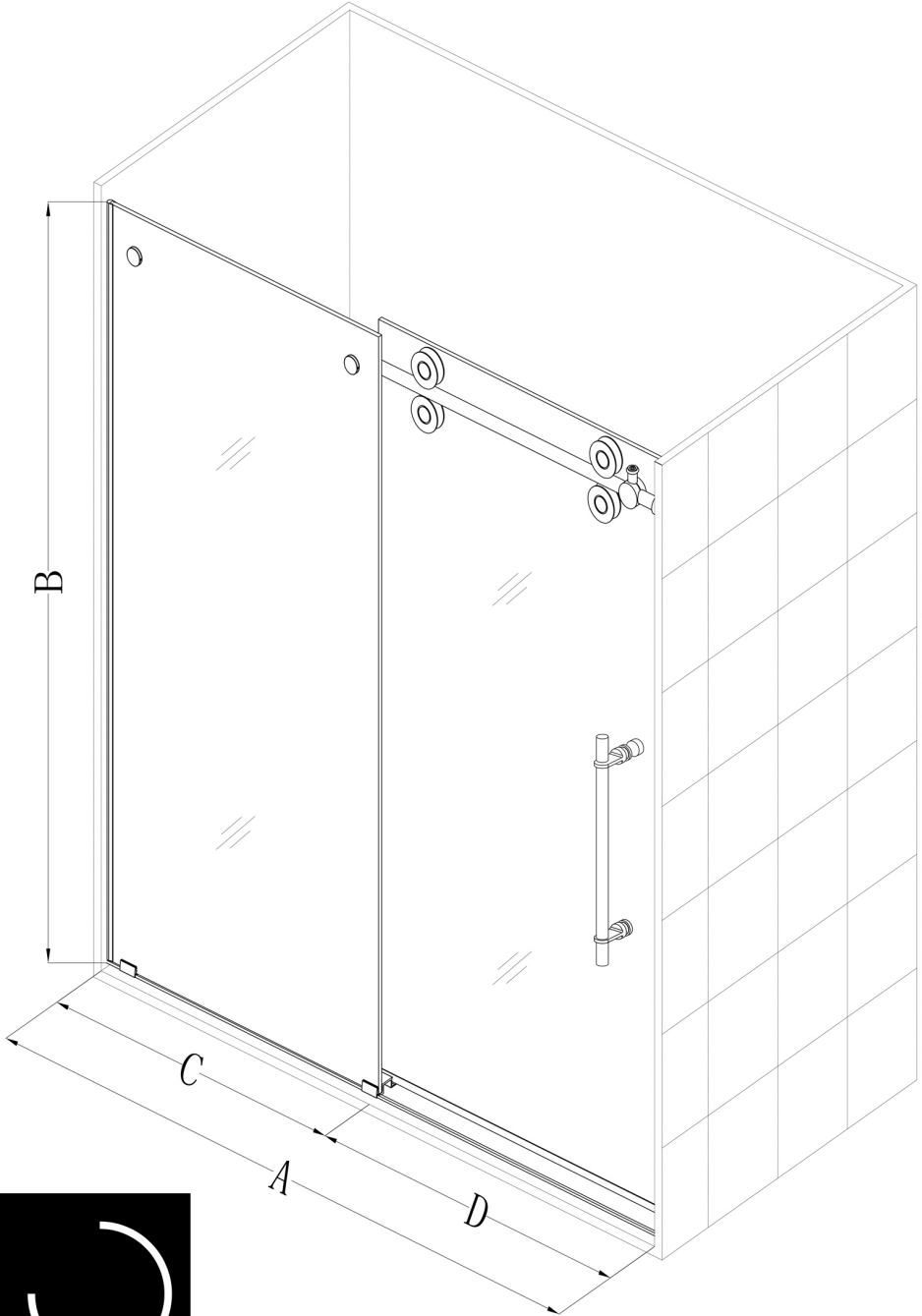
D: 32 1/8"

ACTUAL DOOR SIZE

D: 27 1/2"

DOOR WIDTH FOR DOOR OPENING

GLASS: 3/8"

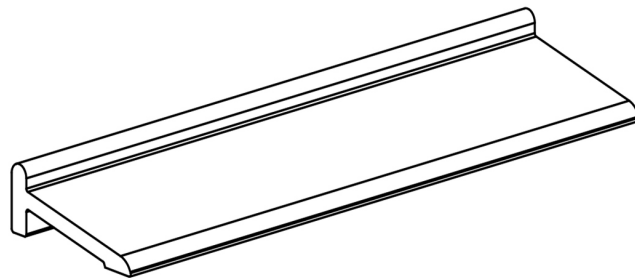
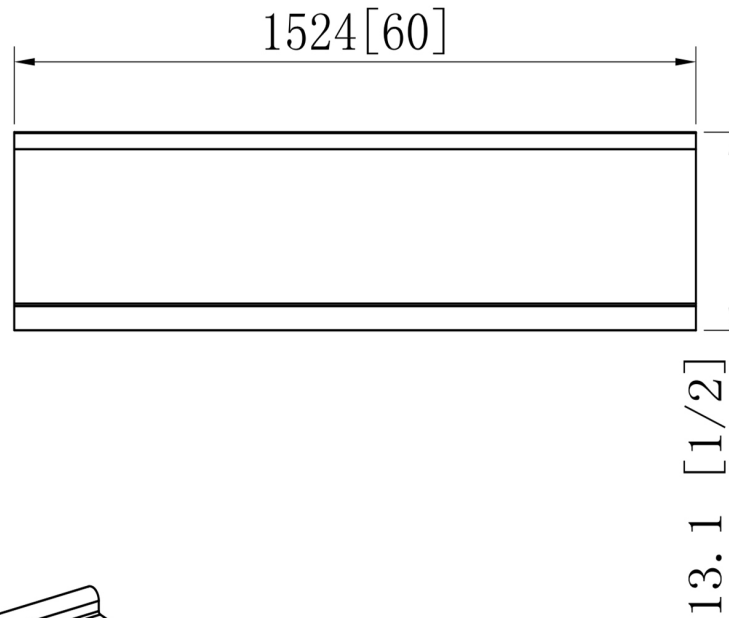
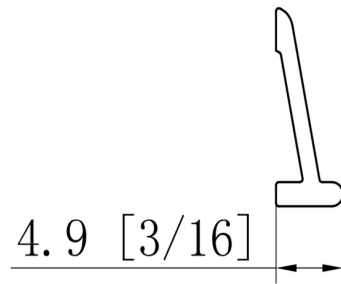


AQUEOUS
Bespoke shower doors.

ELEMENT 1

SINGLE BARN DOOR

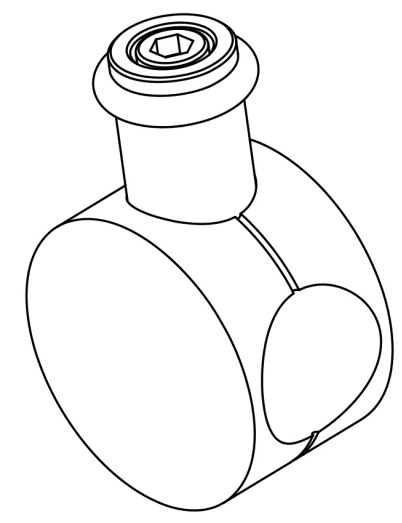
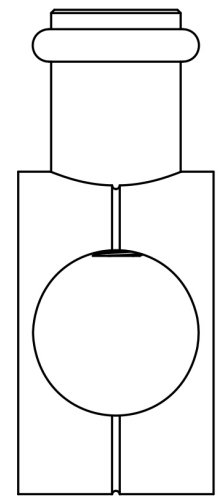
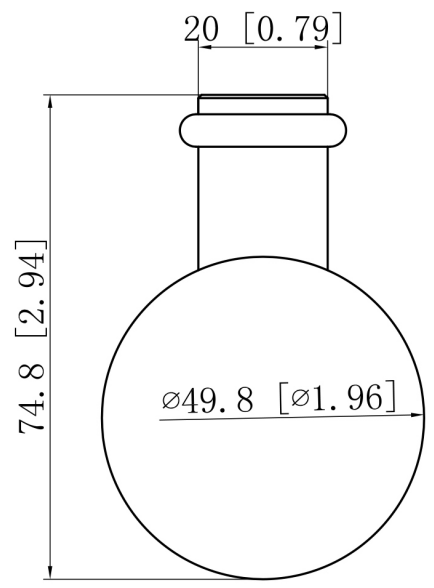
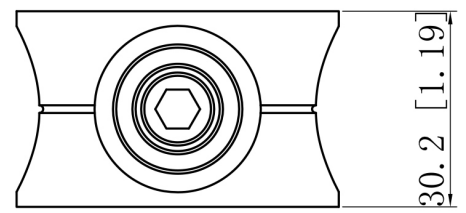
THRESHOLD



ELEMENT 1

SINGLE BARN DOOR

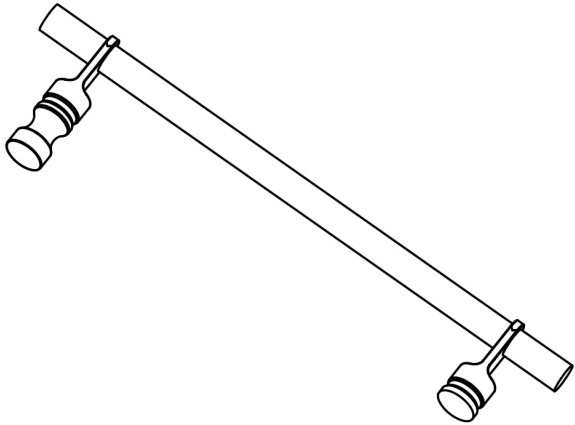
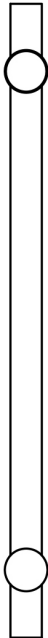
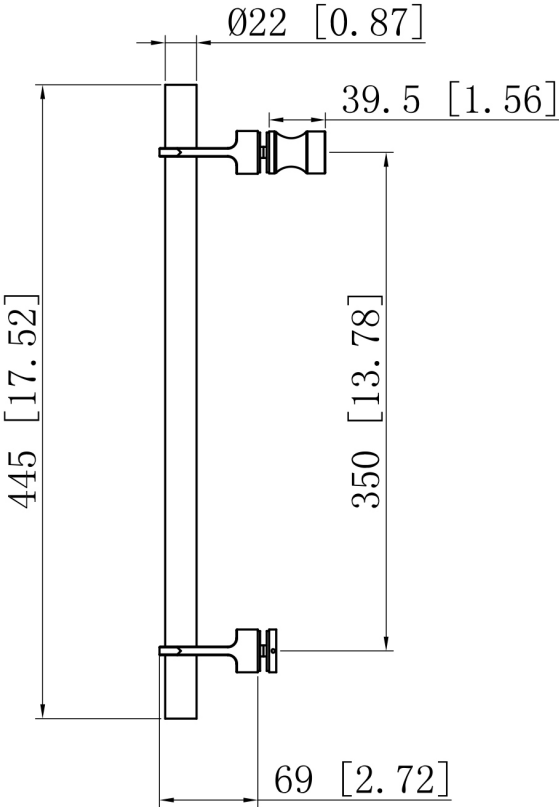
STOPPER



ELEMENT I

SINGLE BARN DOOR

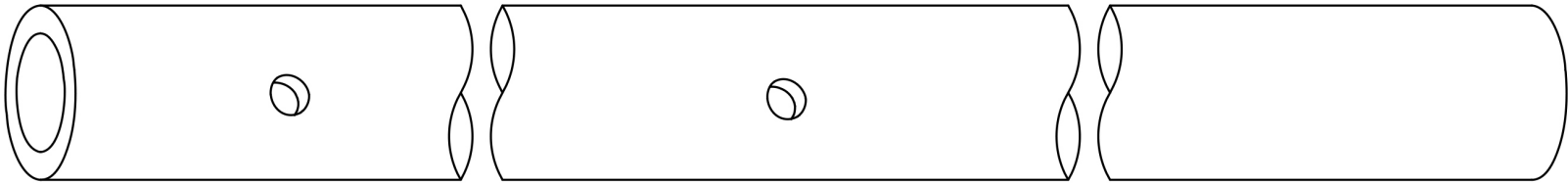
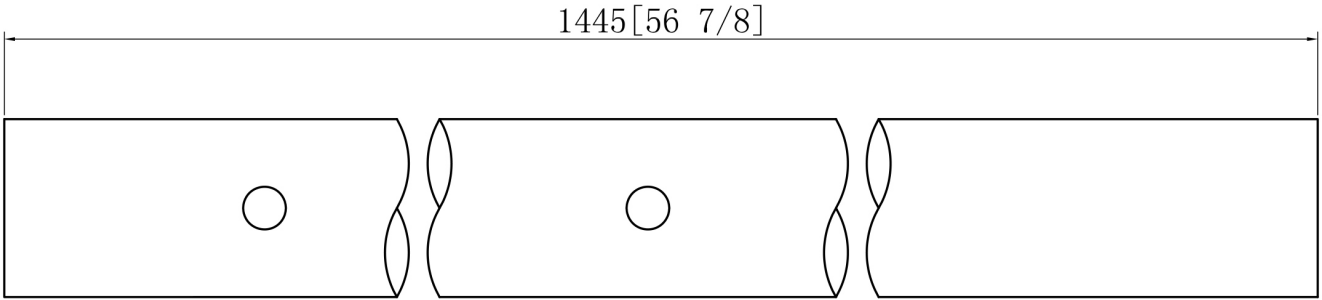
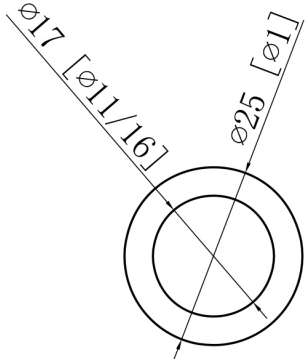
HANDLE



ELEMENT I

SINGLE BARN DOOR

RUNNING RAIL

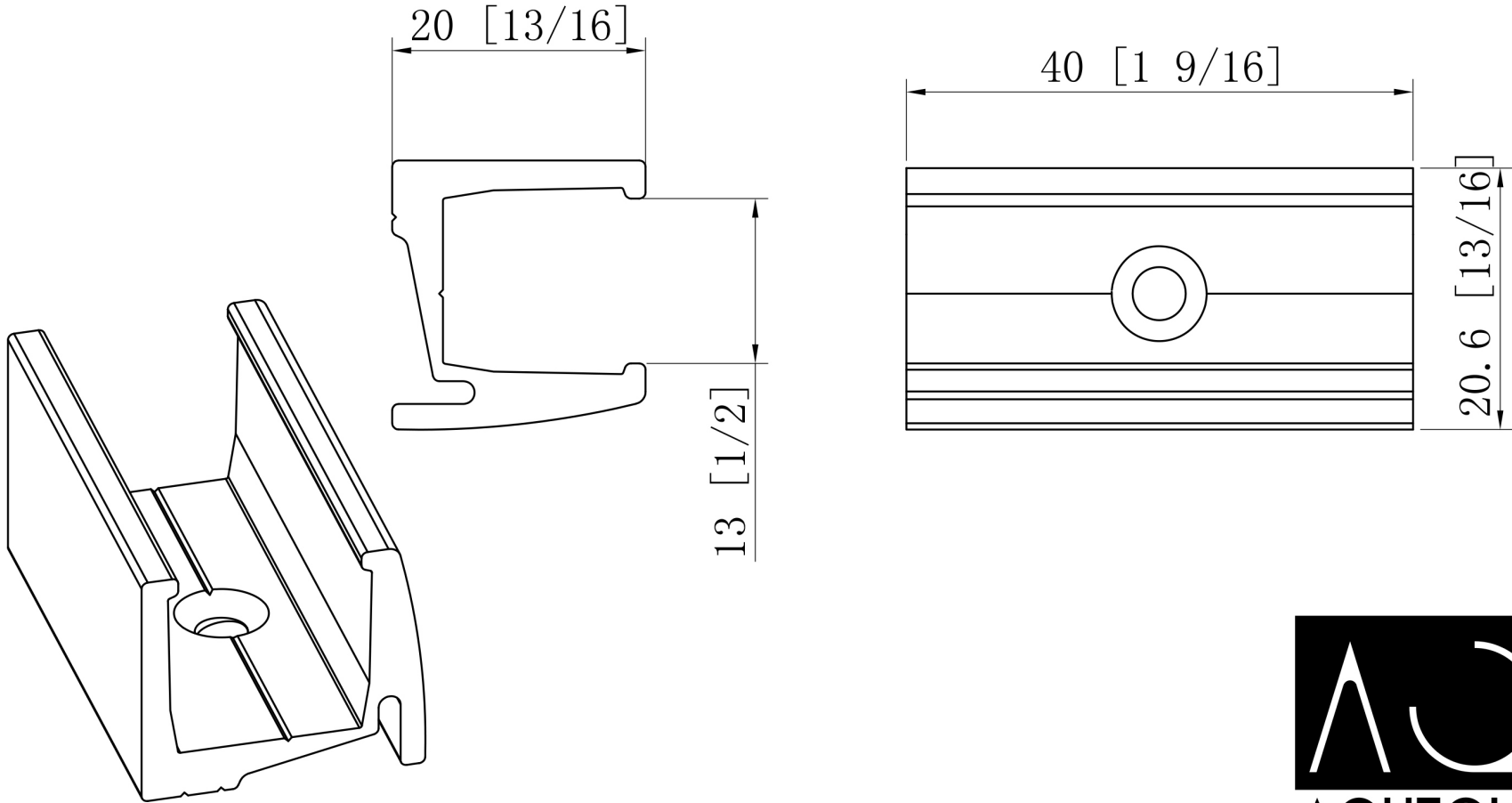


AQUEOUS
Bespoke shower doors.

ELEMENT 1

SINGLE BARN DOOR

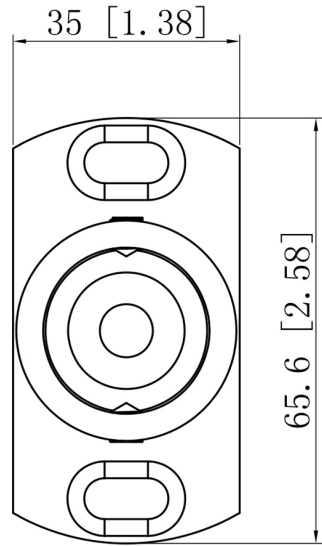
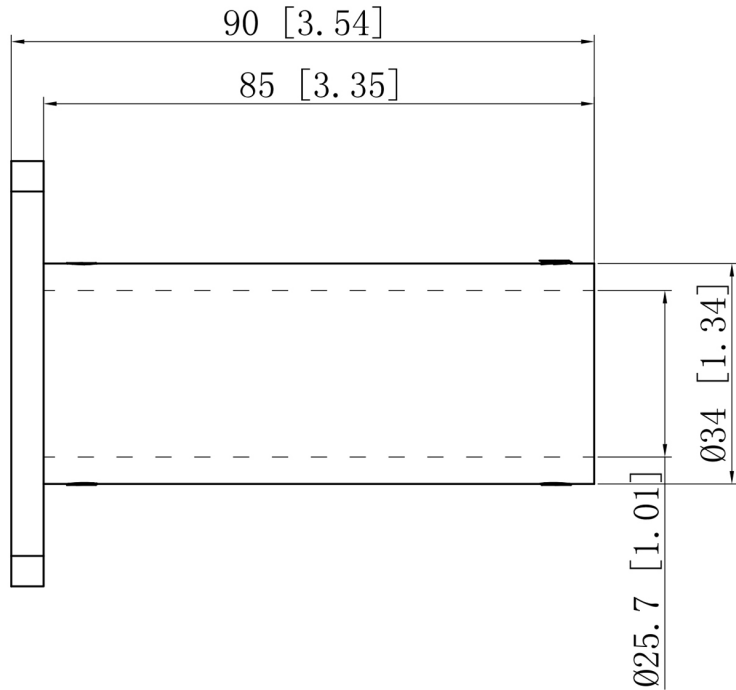
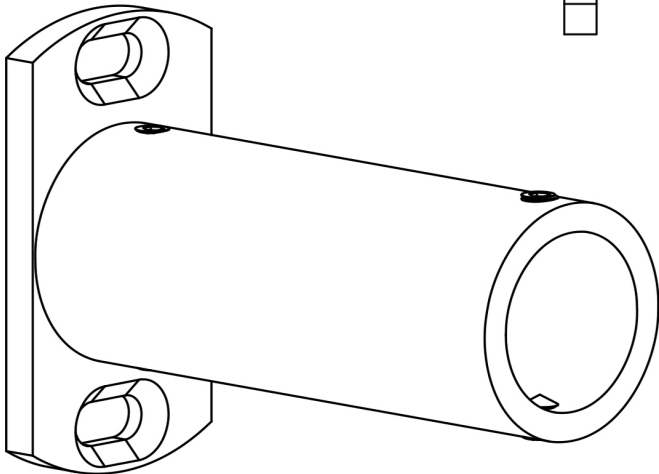
BOTTOM GLASS CLIP



ELEMENT I

SINGLE BARN DOOR

WALL BRACKET

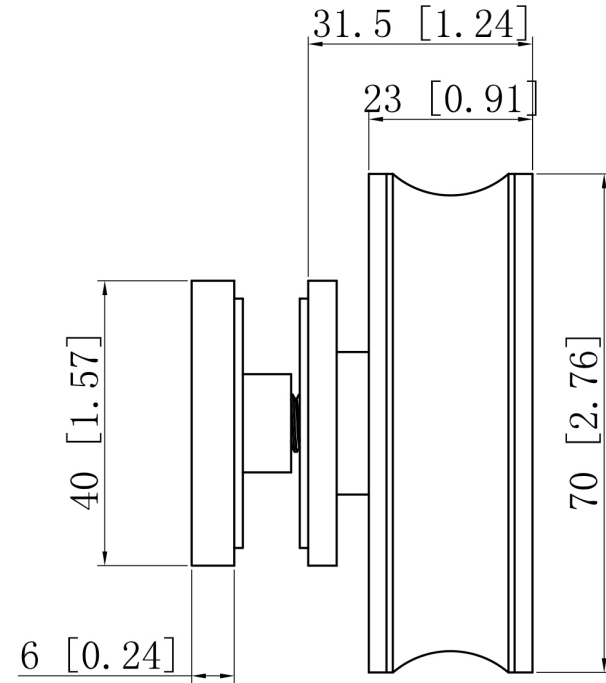
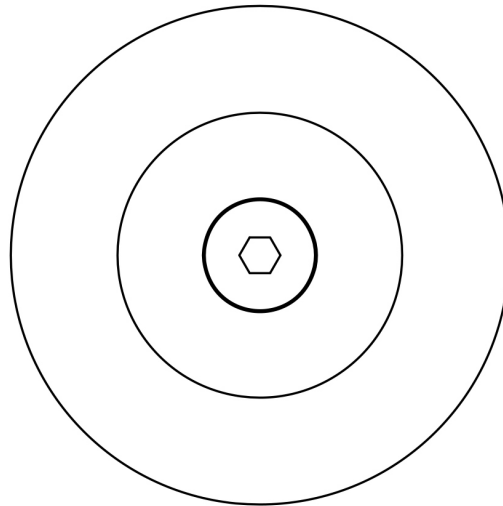
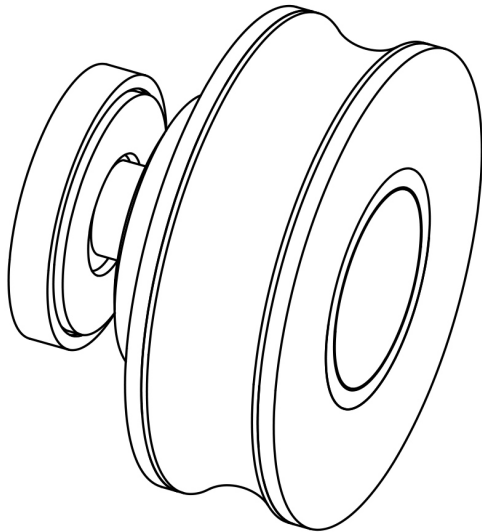


AQUEOUS
Bespoke shower doors.

ELEMENT I

SINGLE BARN DOOR

ROLLER

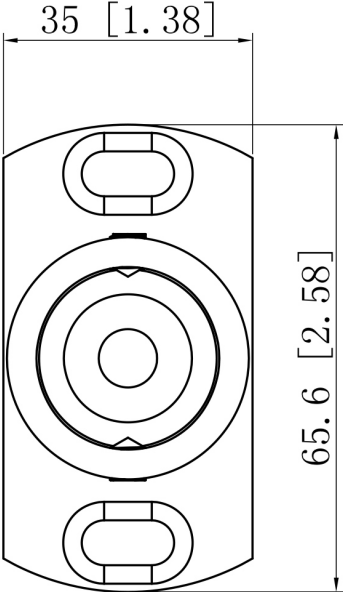
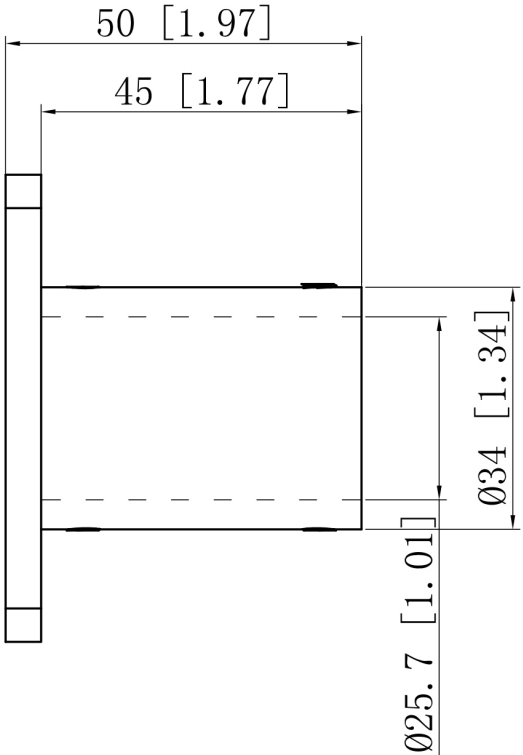
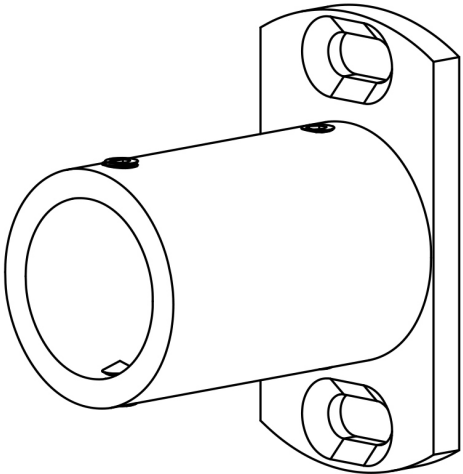


AQUEOUS
Bespoke shower doors.

ELEMENT I

SINGLE BARN DOOR

WALL BRACKET 45

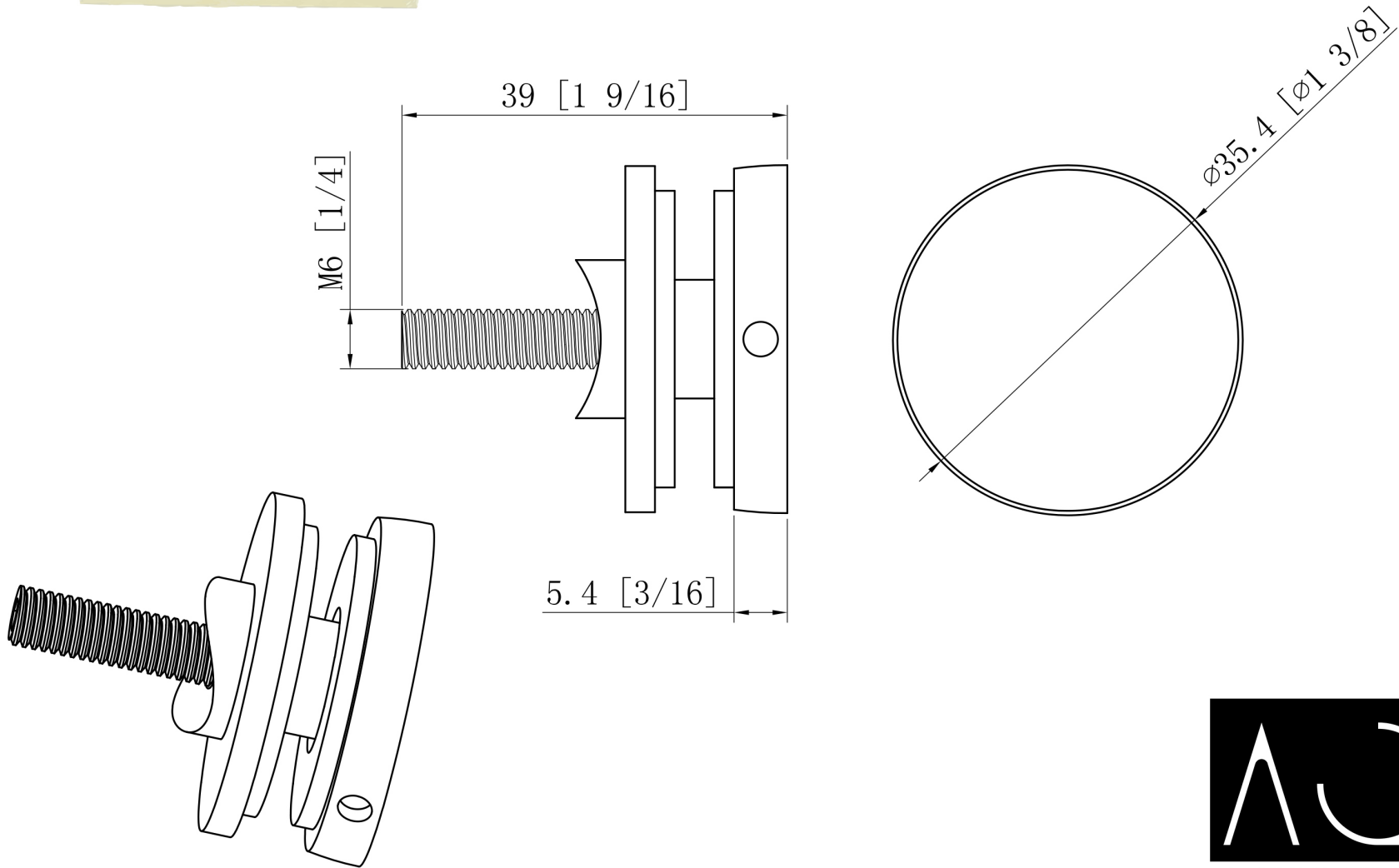


AQUEOUS
Bespoke shower doors.

ELEMENT I

SINGLE BARN DOOR

GLASS HOLDERS



ELEMENT I

SINGLE BARN DOOR

BOTTOM GUIDE

